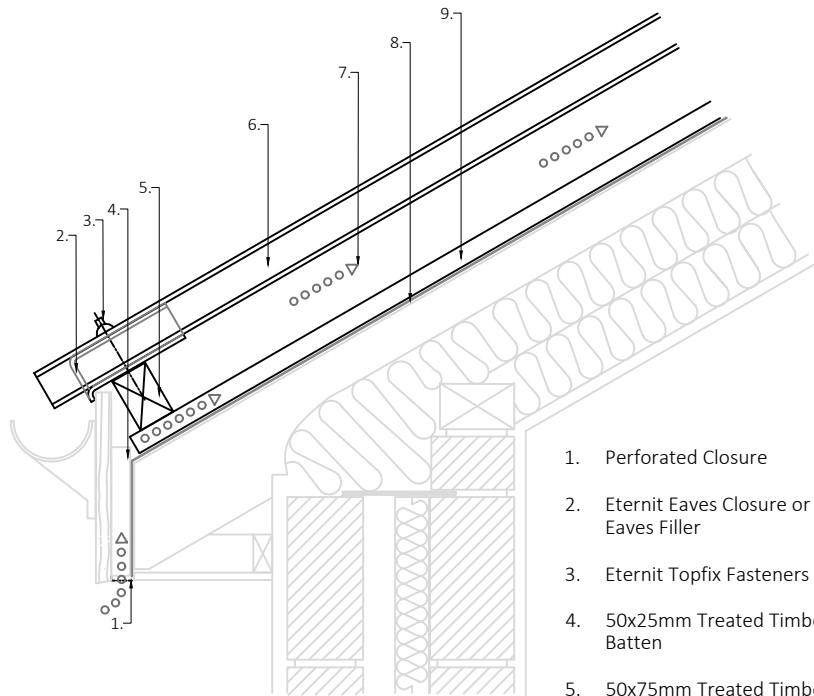


Profile 6 - Domestic Drawing (Breathable Underlay)

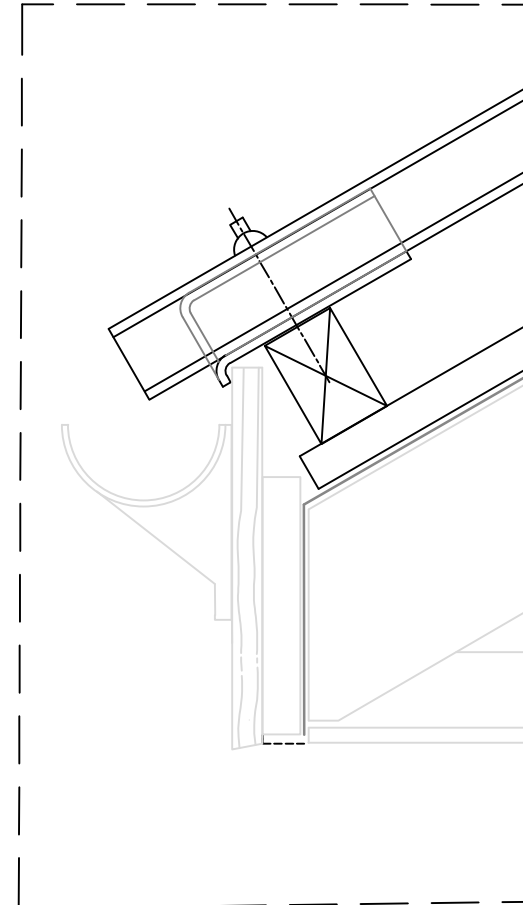
Profile 6

This drawing is © Copyright of Etex Group. It must not be reproduced or altered in any part. This information is supplied in good faith but no liability can be accepted for any loss or damage resulting from use. Eternit and logos are trademarks of Etex NV or an affiliate thereof. Any use without authorisation is strictly prohibited and may violate trademark laws.



- |  |                                       |
|--|---------------------------------------|
| 1. Perforated Closure                    | 6. Eternit Profile 6                  |
| 2. Eternit Eaves Closure or Eaves Filler | 7. Ventilation Path                   |
| 3. Eternit Topfix Fasteners              | 8. Breathable Underlay                |
| 4. 50x25mm Treated Timber Batten         | 9. 25mm Treated Timber Counter Batten |
| 5. 50x75mm Treated Timber Purlin         |                                       |

 Ventilation requirements as per the BS 5250



For further information, please contact;  
 Website: [www.euronit.ie](http://www.euronit.ie) E-mail: [info.ireland@euronit.world](mailto:info.ireland@euronit.world) Tel: +353 (0)59 8631316  
 Euronit, Etex Ireland Ltd., Kilkenny Road, Athy, Co. Kildare R14 VN84