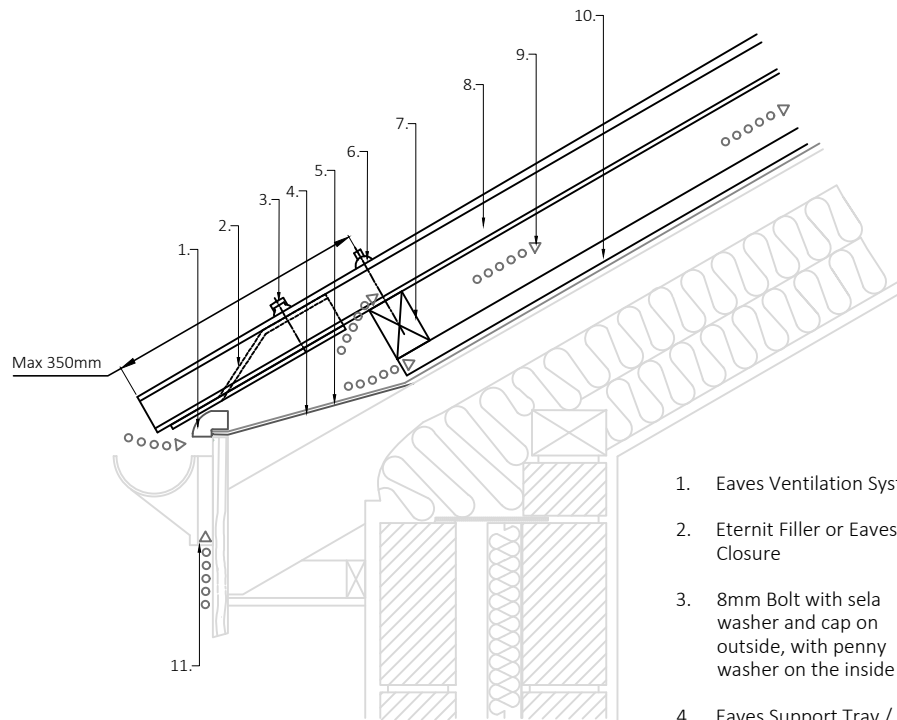



Profile 6 - Domestic Drawing (Breathable Underlay)

Profile 6

This drawing is © Copyright of Etex Group. It must not be reproduced or altered in any part. This information is supplied in good faith but no liability can be accepted for any loss or damage resulting from use. Eternit and logos are trademarks of Etex NV or an affiliate thereof. Any use without authorisation is strictly prohibited and may violate trademark laws.



- | | |
|--|------------------------------------|
| 1. Eaves Ventilation System | 5. Breathable Underlay |
| 2. Eternit Filler or Eaves Closure | 6. Eternit Topfix Fasteners |
| 3. 8mm Bolt with sela washer and cap on outside, with penny washer on the inside | 7. 50x75mm Treated Timber Purlin |
| 4. Eaves Support Tray / Tilting Filet | 8. Eternit Profile 6 |
| | 9. Ventilation Path |
| | 10. Treated Timber Counter Batten* |
| | 11. Gutter Spacer Bracket |

 Ventilation requirements as per the BS 5250

*Depth of the counter batten can be reduced, when there is a ventilation path through the sheet corrugations.

