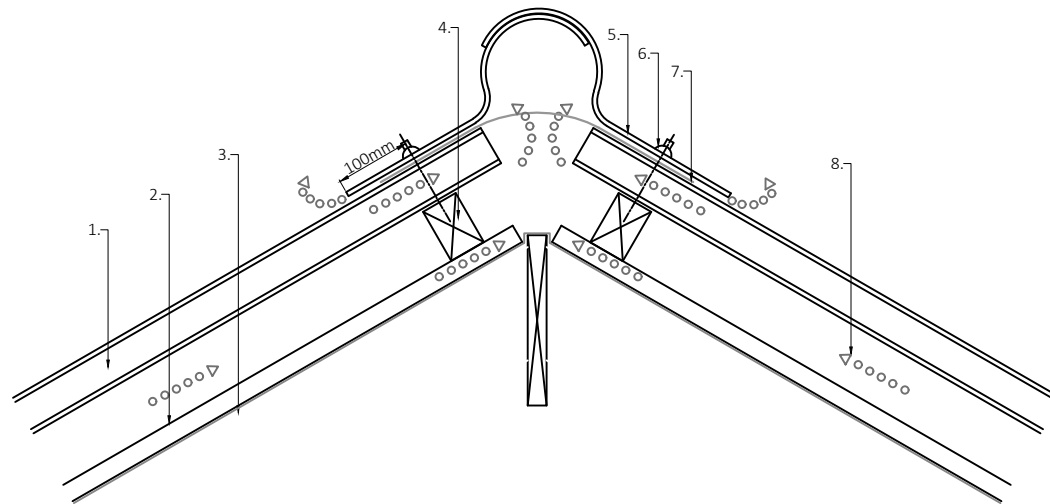



Profile 6 - Domestic Drawing (Breathable Underlay)

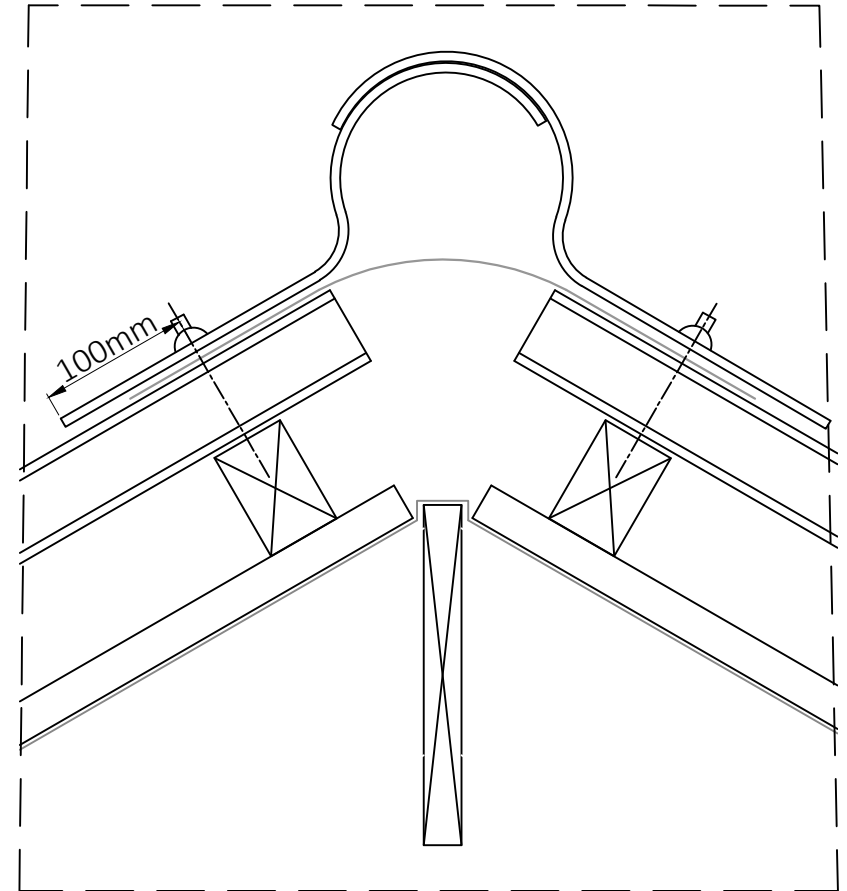
Profile 6

This drawing is © Copyright of Etex Group. It must not be reproduced or altered in any part. This information is supplied in good faith but no liability can be accepted for any loss or damage resulting from use. Eternit and logos are trademarks of Etex NV or an affiliate thereof. Any use without authorisation is strictly prohibited and may violate trademark laws.



- | | |
|--|--|
| 1. Eternit Profile 6 | 5. Eternit Two Piece Plain Wing Ridge |
| 2. 50x25mm Treated Timber Counter Batten | 6. Eternit Topfix Fasteners |
| 3. Breathable Underlay | 7. Ventilated Ridge Roll (Bonded to the top surface of sheets around the corrugations) |
| 4. 50x75mm Treated Timber Purlin | 8. Ventilation Path |

 Ventilation requirements as per the BS 5250



For further information, please contact;
 Website: www.euronit.ie E-mail: info.ireland@euronit.world Tel: +353 (0)59 8631316
 Euronit, Etex Ireland Ltd., Kilkenny Road, Athy, Co. Kildare R14 VN84